

Dudley Swing Gate

Manual ADA Compliant Entrance Gate



For sites that require a secure, ADA-compliant manual gate, Gunnebo is proud to offer our Dudley Gates Closer Post Series. Its unique construction allows the gate frame to rotate from the centerline of the pivot post, eliminating the need for external hinges or bracketry. The in-post hydraulic closer provides quality performance without the need for a costly in-floor closer installation. Gates and posts are constructed out of 304 stainless steel and #4 grained finish as standard. Other styles and cosmetic finishes available. Optional ADA kick plate available upon request.

DUDLEY SWING GATE BENEFITS

Center Pivoting Closer Post

- No external hinges
- Quality hydraulic performance
- Low installation cost

Interchangeable Gate Frames

Simple interchangeable gate frames to match many architectural styles

STANDARD FEATURES

- Manually operated swing gate
- Closer mechanism concealed in pivot post
- Gate pivots from center of post
 - » Allows maximum pass width
 - » Eliminates pinch points
 - » Eliminates external hinges

GATE LOCKING OPTIONS

- Magnetic lock, single direction
- Trap-Lock™ bi-directional

The Trap-Lock is the only rugged and dependable bi-directional gate locking system in the industry. (US Patent # 818729)

Magnetic lock and Trap-Lock are mounted within the circumference of the latch post for a clean, elegant look.

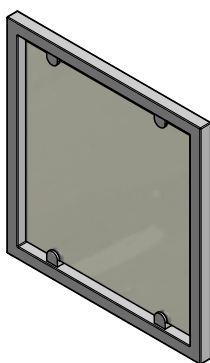
TECHNICAL SPECIFICATIONS

Figures below apply to both Trap-Lock and Magnetic Lock gates.

Power Supply: 110VAC 60 Hz (50 Hz available). A transformer is supplied with the unit.

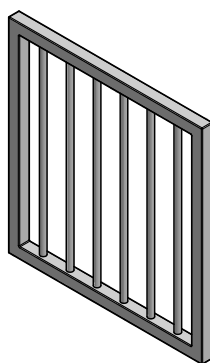
Power Rating: 80 VA per gate; 1.8AMP at max usage.

Interchangeable Gate Models

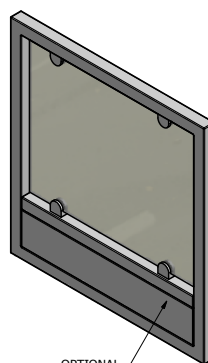


STANDARD INFILL PANEL DESIGN

PANEL OPTIONS: GLASS, ACRYLIC, OR POLYCARBONATE



OPTIONAL PICKET-STYLE DESIGN

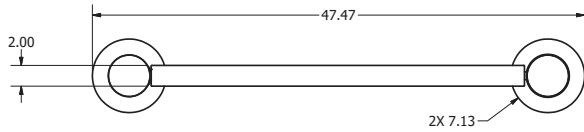


OPTIONAL ADA KICK PLATE

Dudley Swing Gate

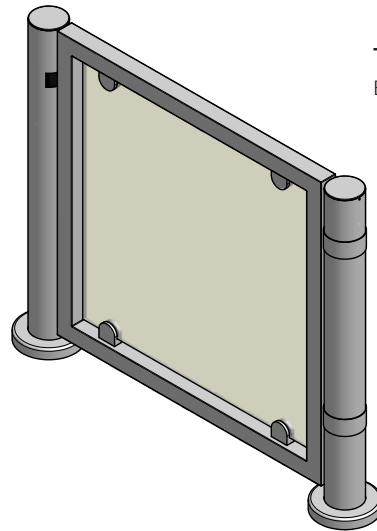
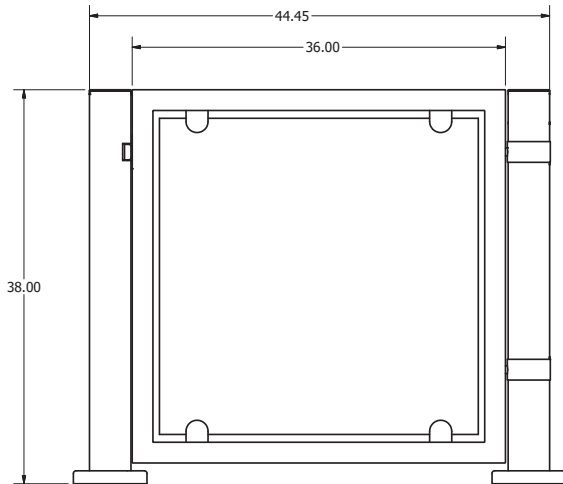
Manual ADA Compliant Entrance Gate

STANDARD DIMENSIONS

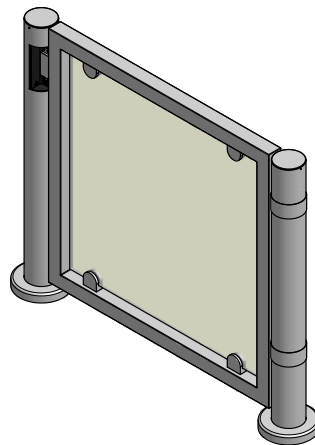
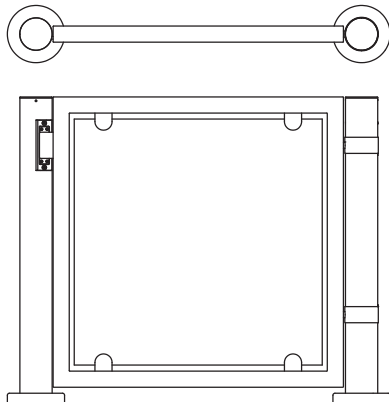


36" wide bi-directional Trap-Lock post swing gate with clear acrylic panel shown. 32" and 42" clear walkway widths also available.

Gate and posts are type 304 stainless steel with #4 grain finish.



Trap-Lock Post
Bi-Directional Swing



Magnetic Lock Post
Single Direction Swing

36" wide single direction magnetic lock post swing gate with clear acrylic panel shown. 32" and 42" clear walkway widths also available.

Gate and posts are type 304 stainless steel with #4 grain finish.

For further information, please contact:

Gunnebo Entrance Control Inc.

535 Getty Ct., Benicia, CA 94510

Tel: 513-666-4821

Email: info@gunnebo.us

www.gunneboentrancesecurity.com

Note: In pursuit of its policy of continuous refinement and improvement, Gunnebo Entrance Control reserves the right to modify design and details at any time and without notice.